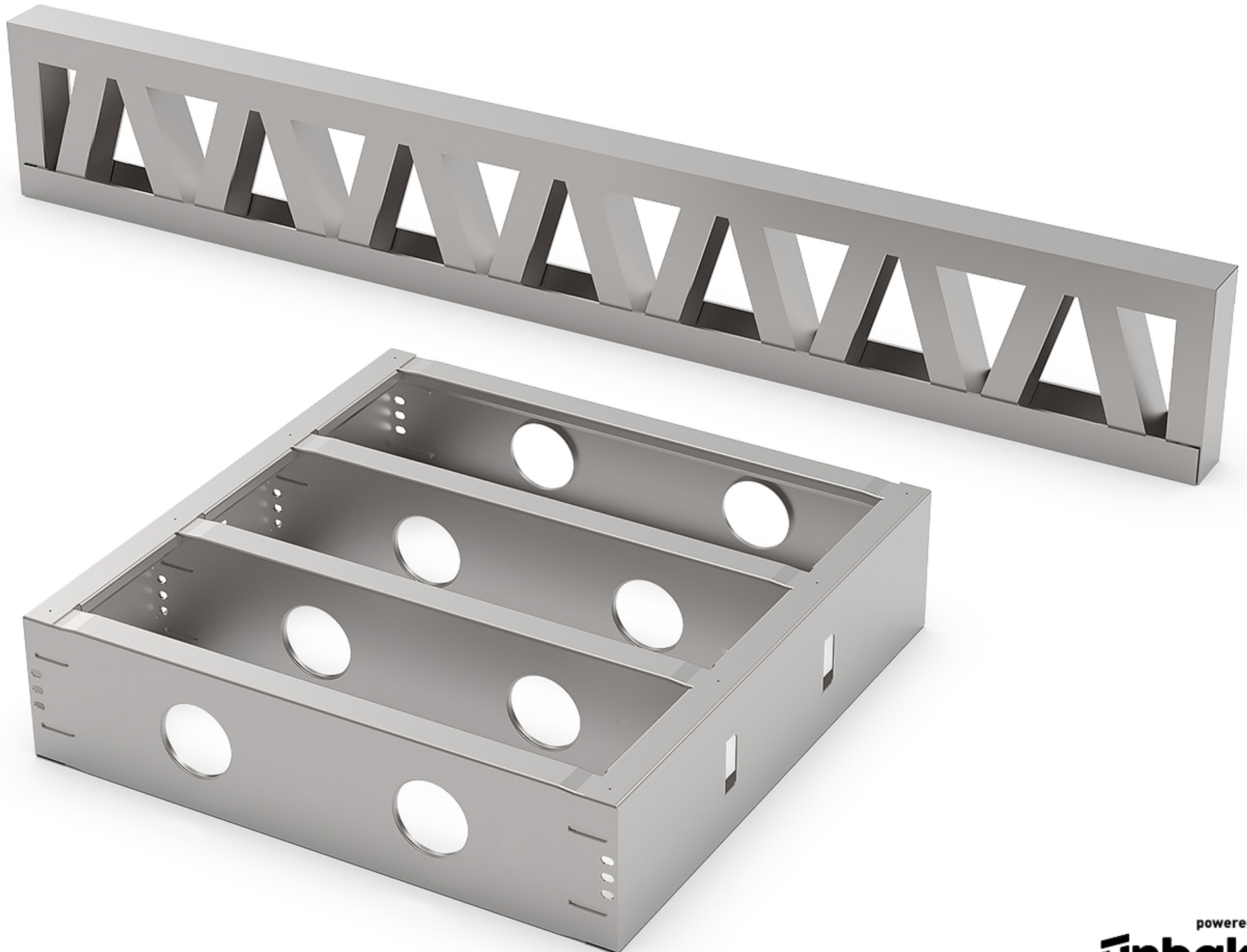




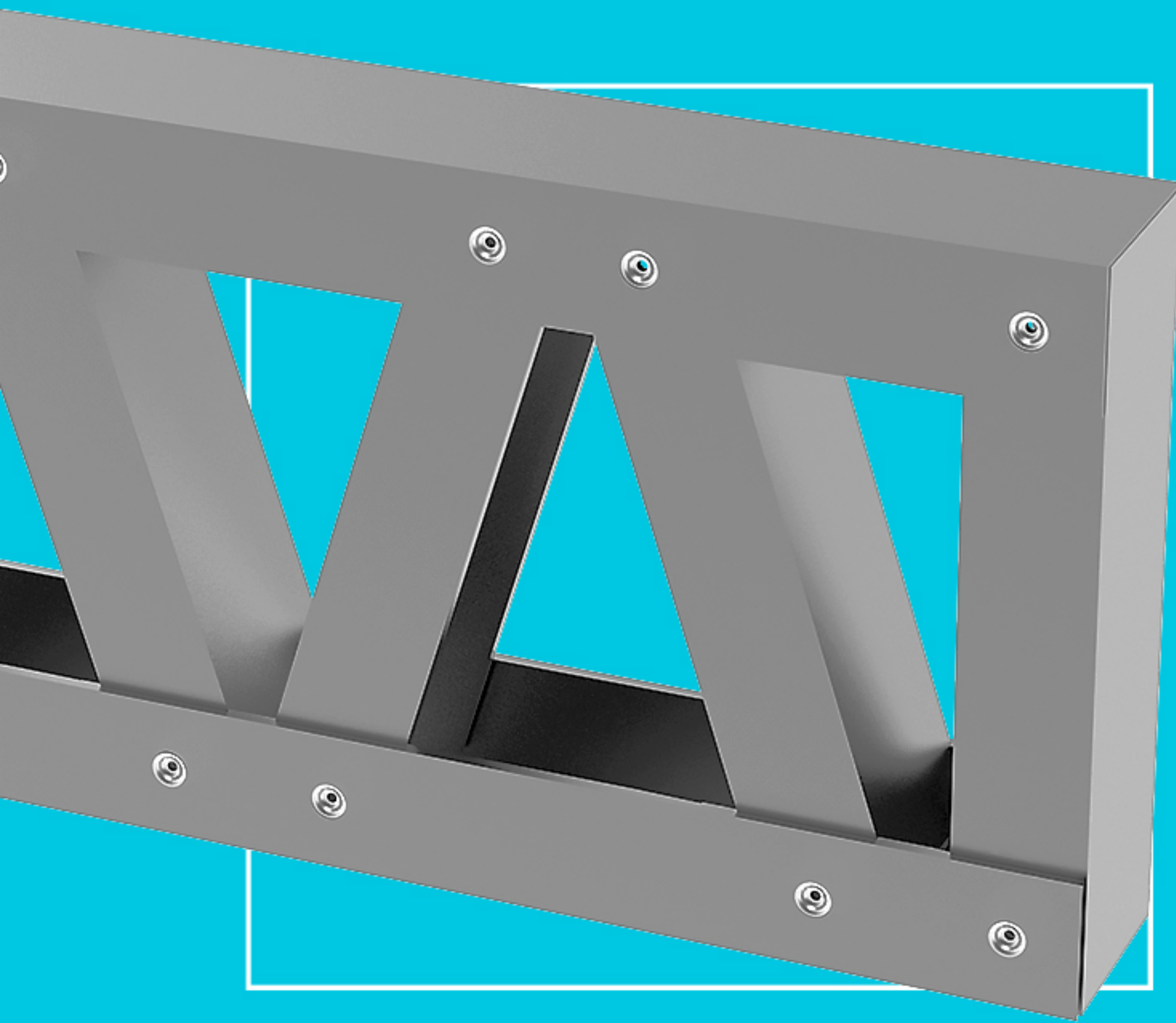
LATTICE JOIST VS FLOOR JOIST

**LIGHT STEEL FRAME
JOIST TYPE COMPARES**

Unbak®

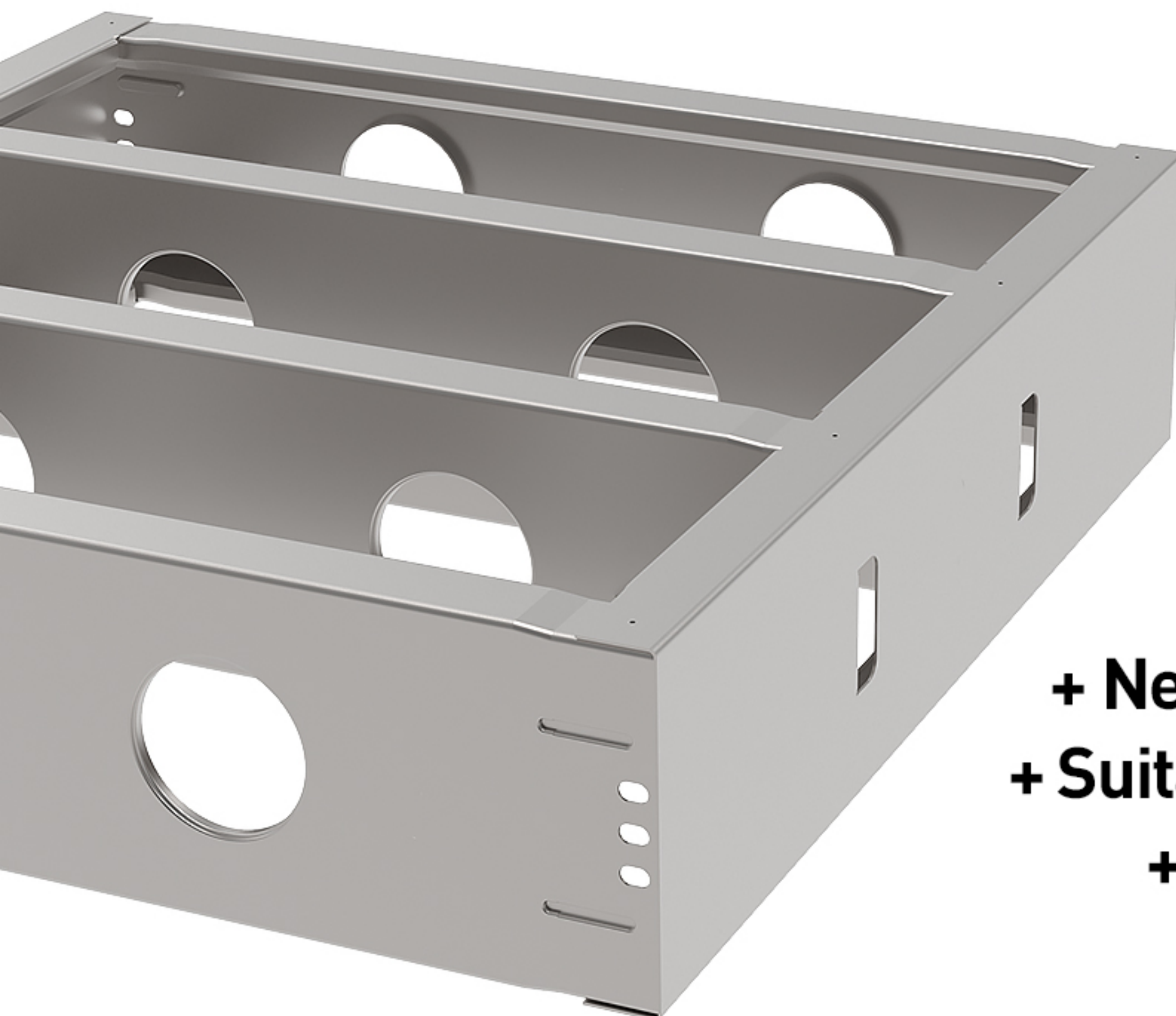


powered by
Unbak®



LATTICE JOIST

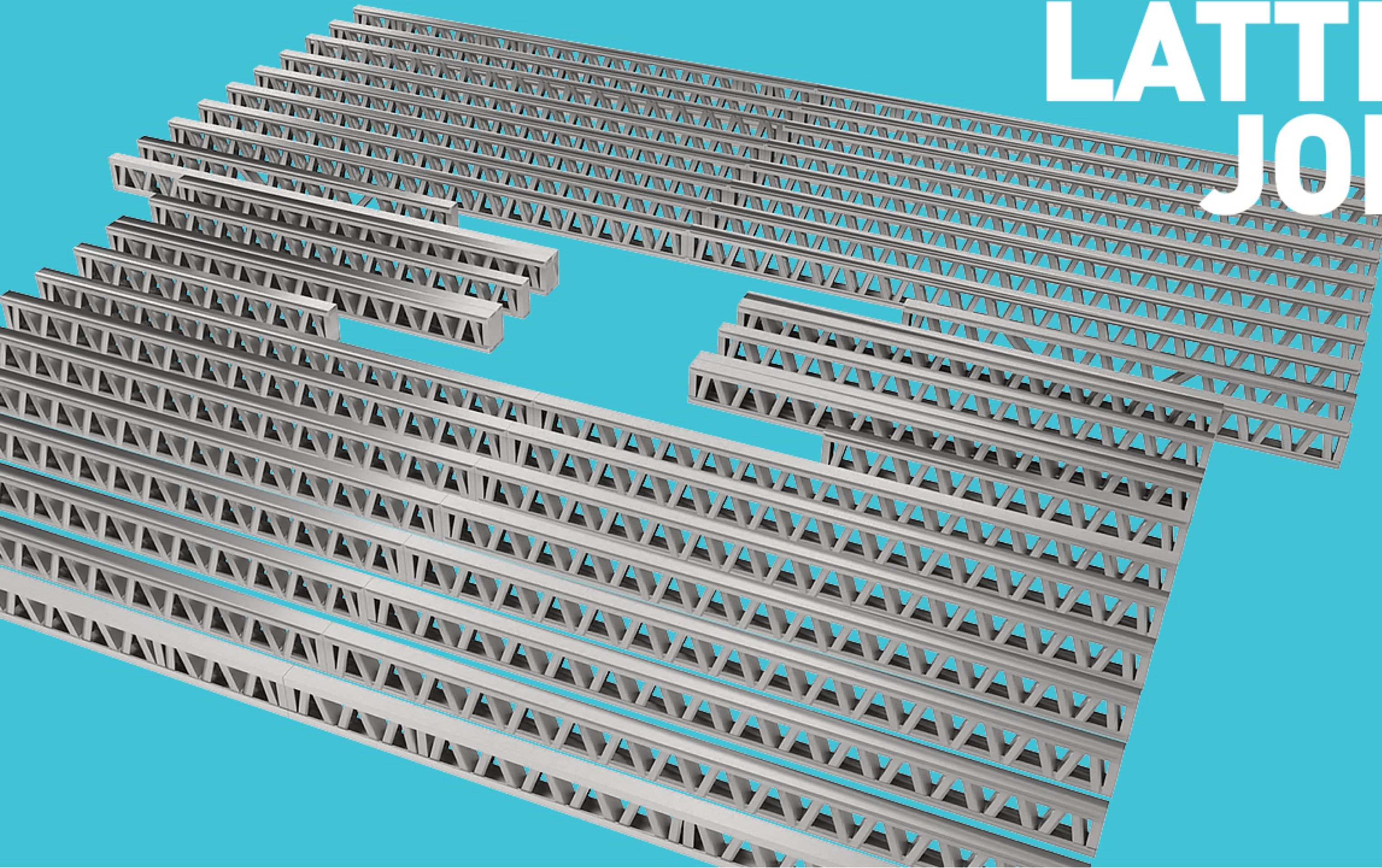
- + General LSF Usage
- + Produced with Standart LSF Punches
- + Suitable for Standart Production
- + Can be Produced with Thinner Steel



FLOOR JOIST

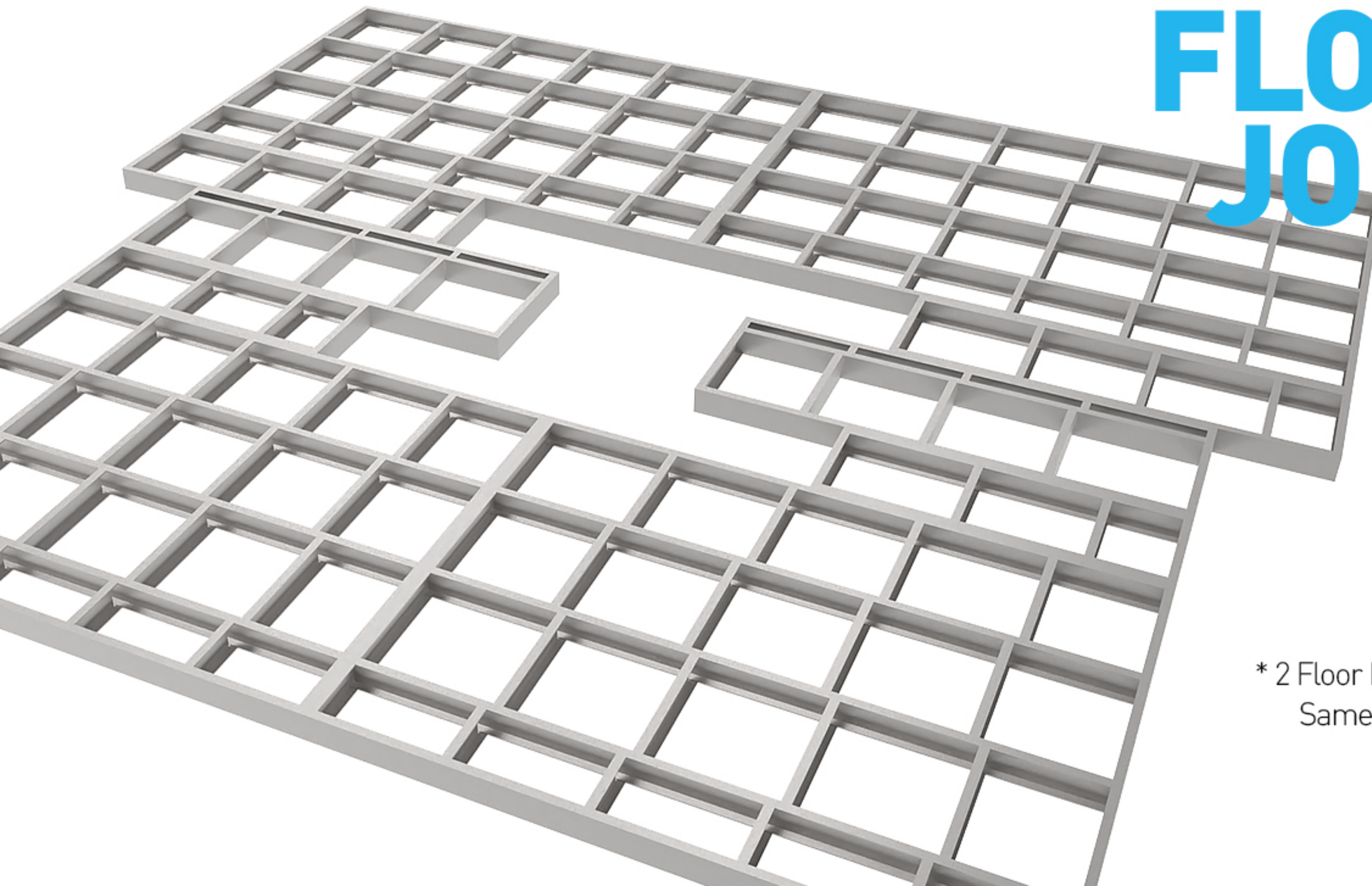
- + Fast Assembly
- + Fast Production
- + Need Extra Punches
- + Need Thicker Steel +2.00mm
- + Suitable for Mass Production
- + Suitable for Big Projects

LATTICE JOIST



VS

FLOOR JOIST

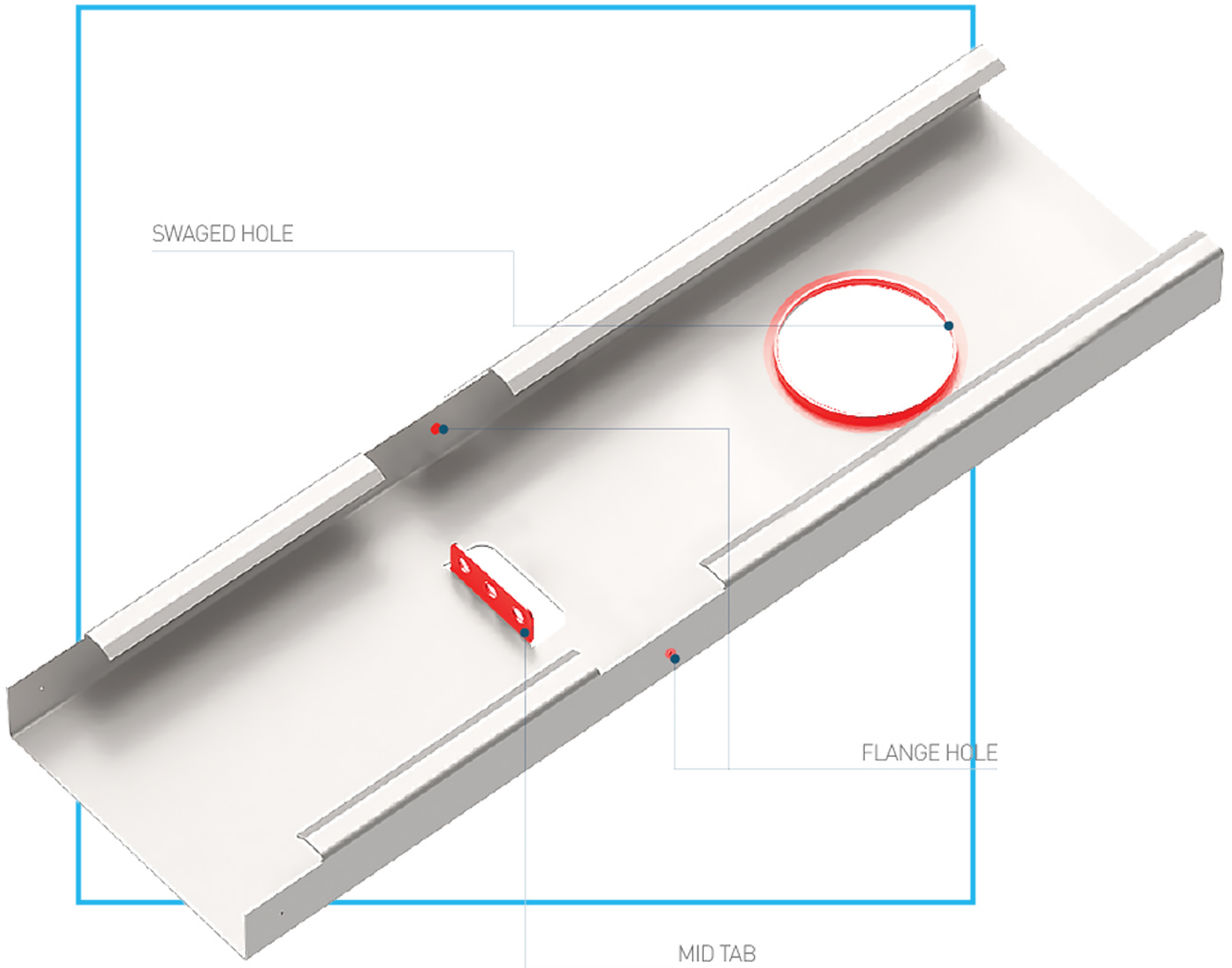


* 2 Floor Building Project
Same Projects 148m²

powered by
Unbak[®]

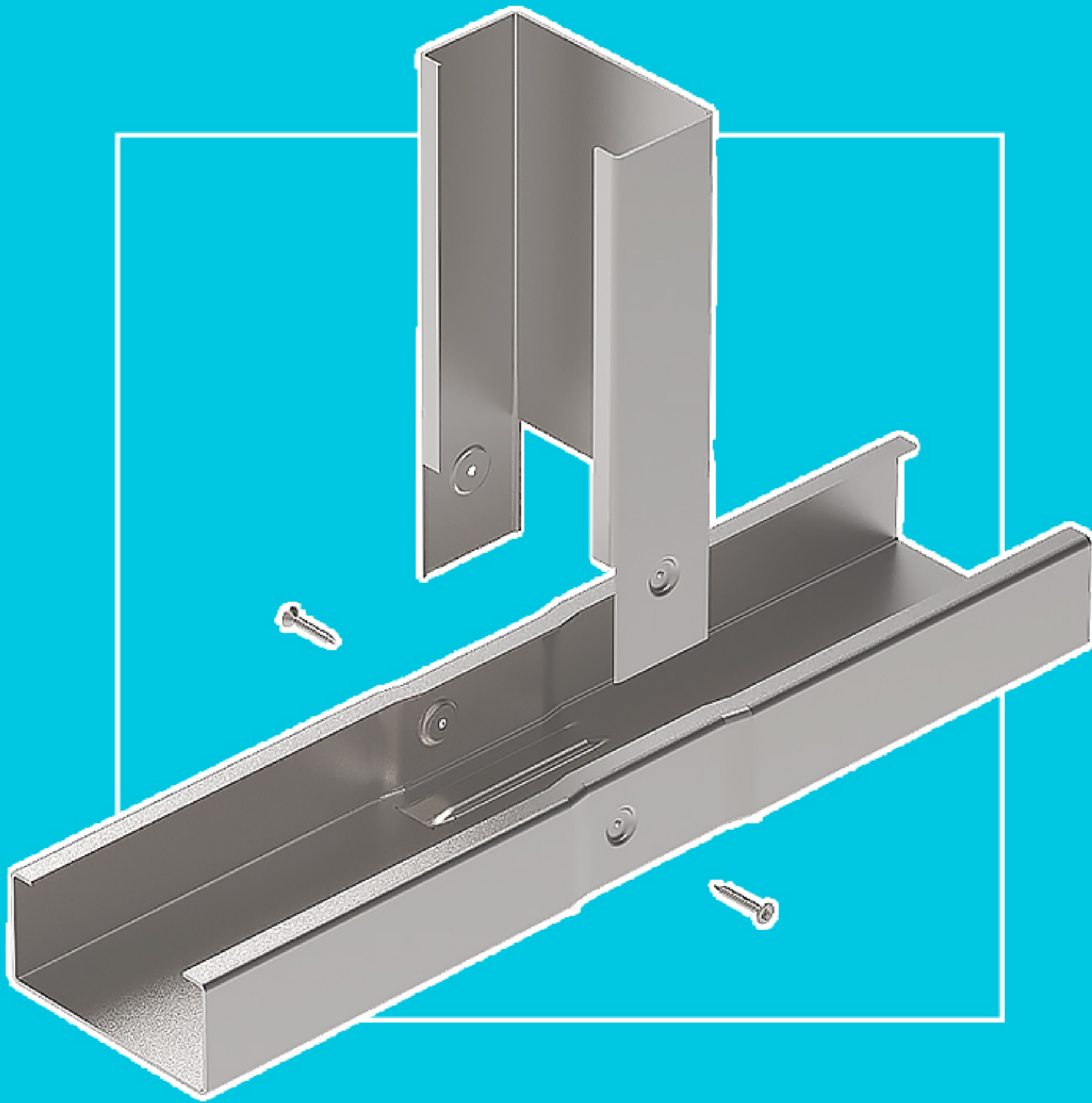
BASIC USED PUNCHES

FLOOR JOIST



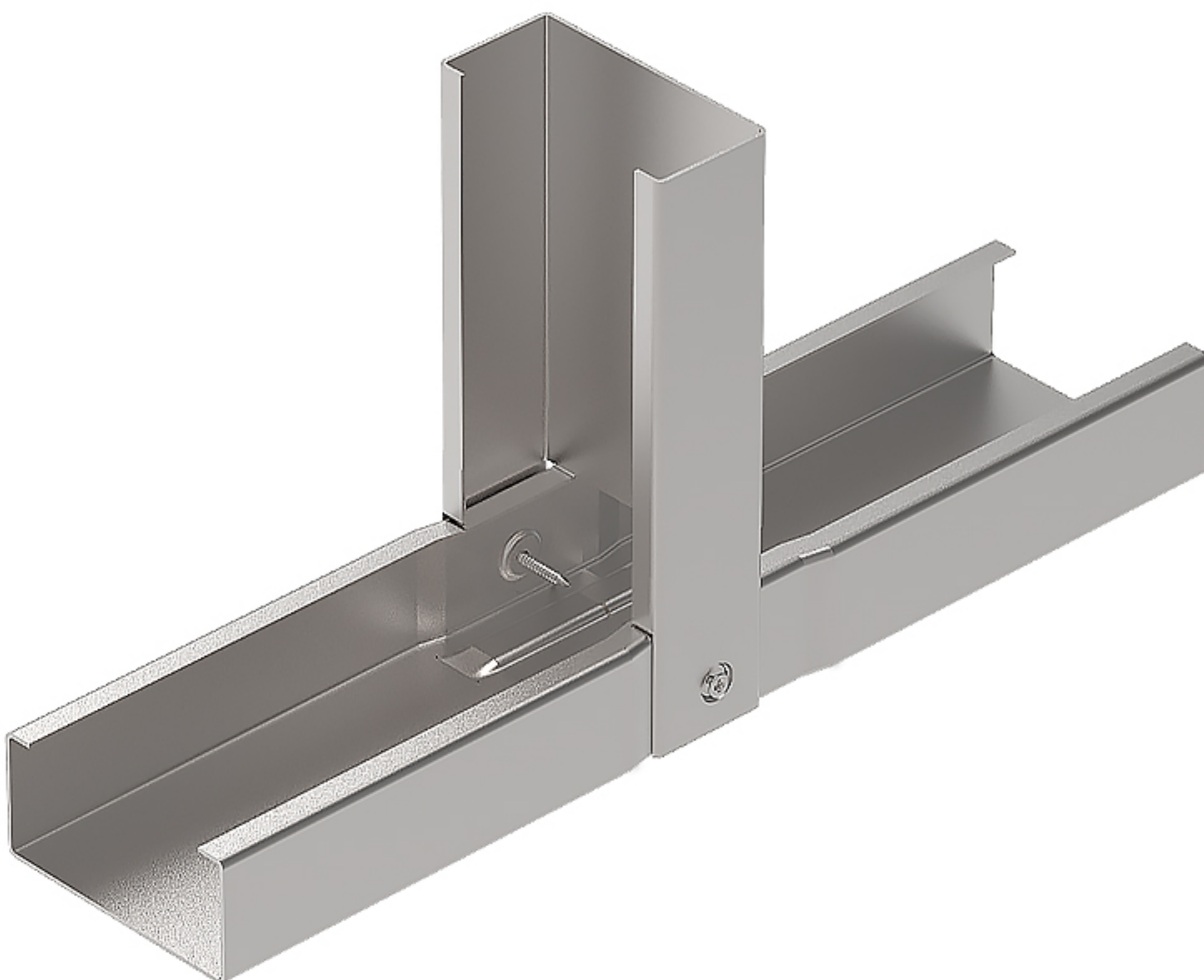
USED PUNCHES

Swage
Dimple
Lip Notch
Web Notch



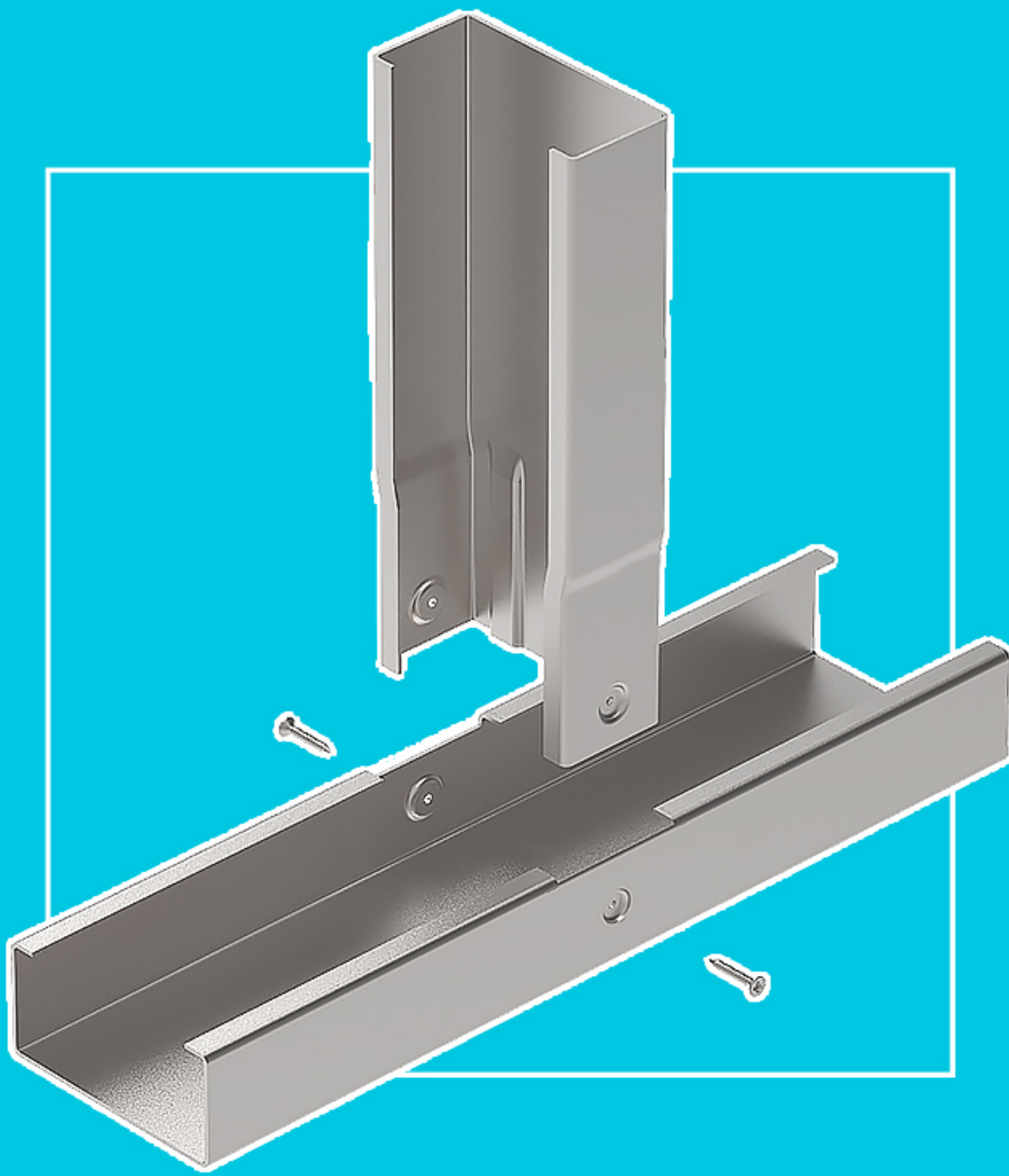
AREA of USE

Truss
Wall Panel
Lattice Joist



USED PUNCHES

Swage
Dimple
Lip Notch



AREA of USE

Truss
Wall Panel
Lattice Joist

